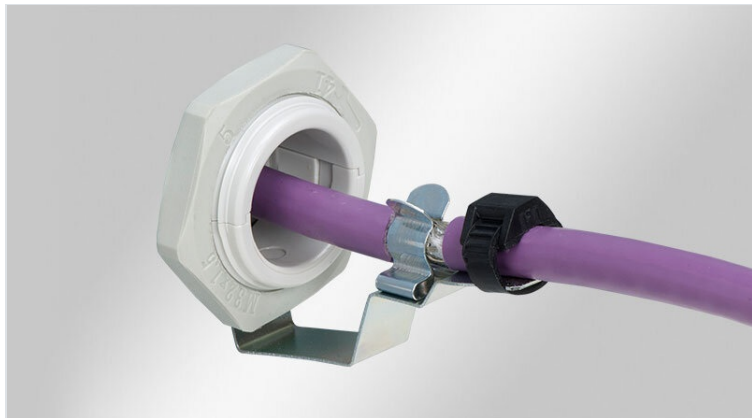


KVT-EMC bracket with shield clamp

for split cable glands KVT and QVT



The KVT-EMC brackets in combination with the [split cable glands KVT](#) and [QVT](#) combine routing, EMC shield earthing and strain relief. The connection to the earth potential is possible via the enclosure wall or an [earthing tape](#).

Cables pass through the split cable glands and lead directly into the EMC clamps.

Separate functions (according to regulations) carried out quickly and easily!



RoHS
compliant



Made in
Germany



Specifications

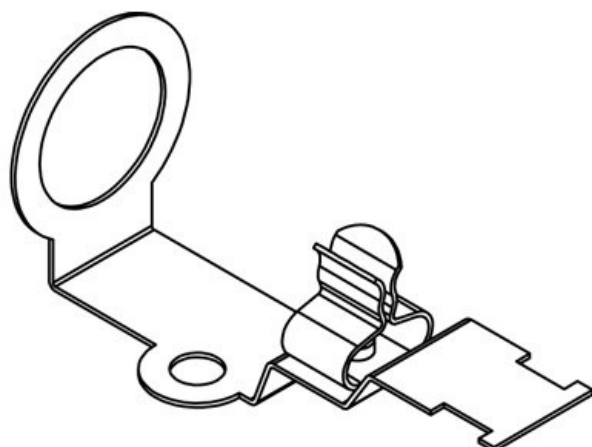
Material	Mild steel, galvanically zinc plated
Properties	vibration proof
Mounting options	Fasten with locknut

Advantages & benefits

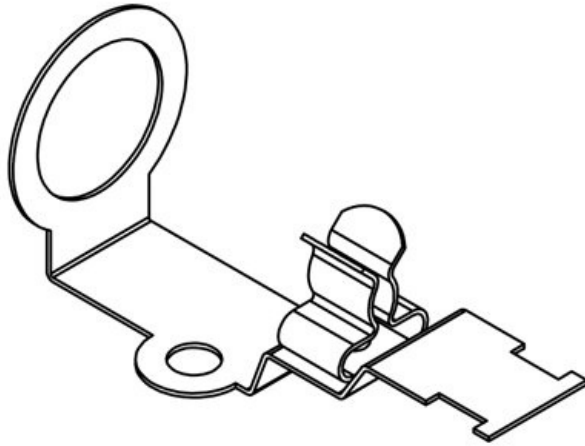
- Fast and easy assembly
- Large contact area
- Shield contact and strain relief separated
- Subsequent assembly possible
- Additional M5 hole for earthing tape or PE connection
- Replacement for EMC cable glands, even for pre-terminated cables

Product types & sizes

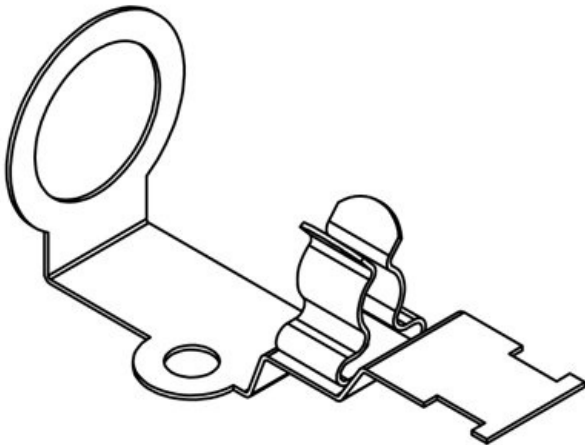
KVT-EMC-16|SKL 1.5-3



Part No.	37187.1	Length	58,5 mm
EAN	4251269329	Width	23 mm
	005	Height	26,7 mm
Package quantity	5	Suitable for cable entry systems:	QVT 16
No. of shield clamps	1		
For max. no. of cables	1		
Min. shield diam.	1,5 mm		
Max. shield diam.	3 mm		



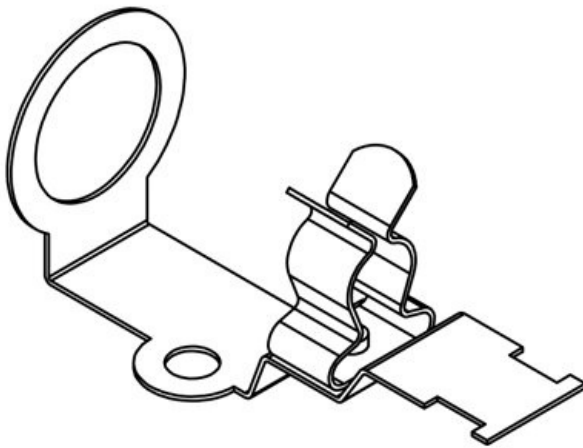
Part No.	37187.2	Length	58,5 mm
EAN	4251269329	Width	23 mm
	012	Height	26,7 mm
Package quantity	5	Suitable for cable entry systems:	QVT 16
No. of shield clamps	1		
For max. no. of cables	1		
Min. shield diam.	3 mm		
Max. shield diam.	6 mm		



Part No.	37187.3	Length	58,5 mm
EAN	4251269329	Width	23 mm
	029	Height	26,7 mm
Package quantity	5	Suitable for cable entry systems:	QVT 16
No. of shield clamps	1		
For max. no. of cables	1		
Min. shield diam.	6 mm		
Max. shield diam.	8 mm		

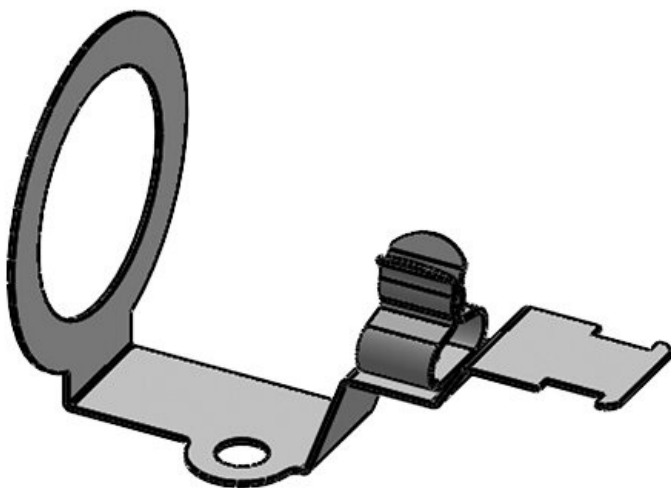
KVT-EMC-16|SKL 8-11

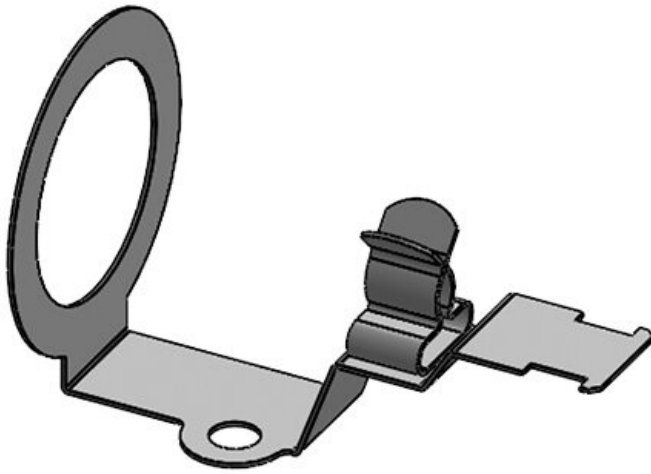
Part No.	37187.4	Length	58,5 mm
EAN	4251269329	Width	23 mm
	036	Height	26,7 mm
Package quantity	5	Suitable for cable entry systems:	QVT 16
No. of shield clamps	1		
For max. no. of cables	1		
Min. shield diam.	8 mm		
Max. shield diam.	11 mm		



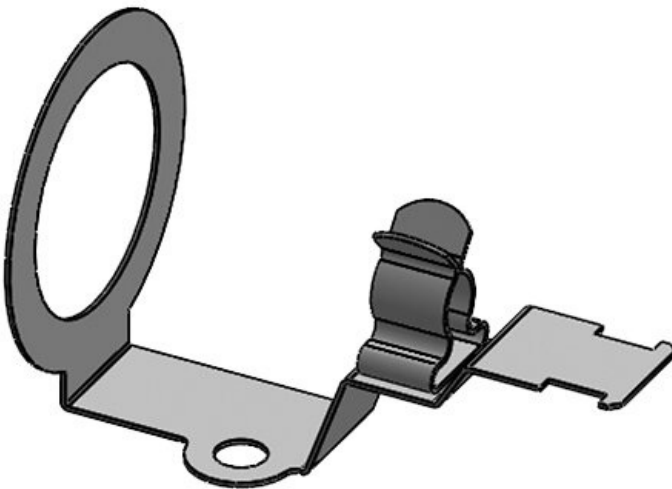
KVT-EMC-25|SKL 1.5-3

Part No.	37180.1	Length	60 mm
EAN	4251269305	Width	36 mm
	283	Height	39 mm
Package quantity	5	Suitable for cable entry systems:	KVT-ER 25, KVT 25, QVT 25, KEL-DPF 25
No. of shield clamps	1		
For max. no. of cables	1		
Min. shield diam.	1,5 mm		
Max. shield diam.	3 mm		



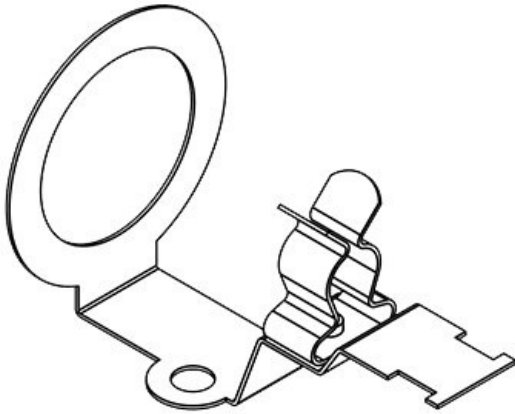


Part No.	37180.2	Length	60 mm
EAN	4251269305	Width	36 mm
	290	Height	39 mm
Package quantity	5	Suitable for cable entry systems:	KVT-ER 25, KVT 25, QVT 25, KEL-DPF 25
No. of shield clamps	1		
For max. no. of cables	1		
Min. shield diam.	3 mm		
Max. shield diam.	6 mm		

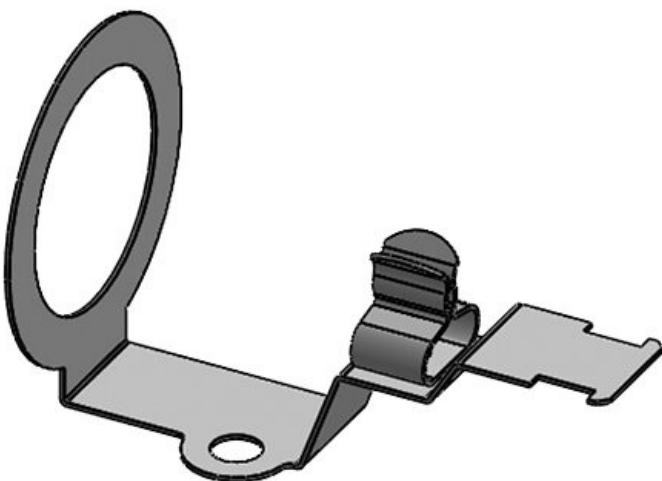


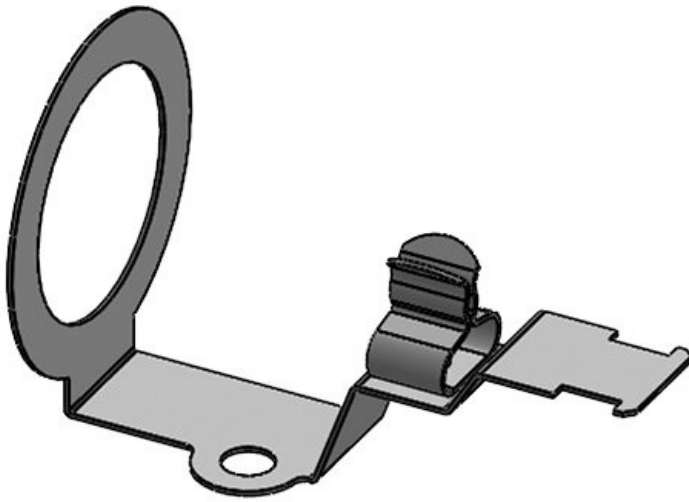
Part No.	37180.3	Length	60 mm
EAN	4251269305	Width	36 mm
	306	Height	39 mm
Package quantity	5	Suitable for cable entry systems:	KVT-ER 25, KVT 25, QVT 25, KEL-DPF 25
No. of shield clamps	1		
For max. no. of cables	1		
Min. shield diam.	6 mm		
Max. shield diam.	8 mm		

Part No.	37180.4	Length	60 mm
EAN	4251269305	Width	36 mm
	313	Height	39 mm
Package quantity	5	Suitable for cable entry systems:	KVT-ER 25, KVT 25, QVT 25, KEL-DPF 25
No. of shield clamps	1		
For max. no. of cables	1		
Min. shield diam.	8 mm		
Max. shield diam.	11 mm		

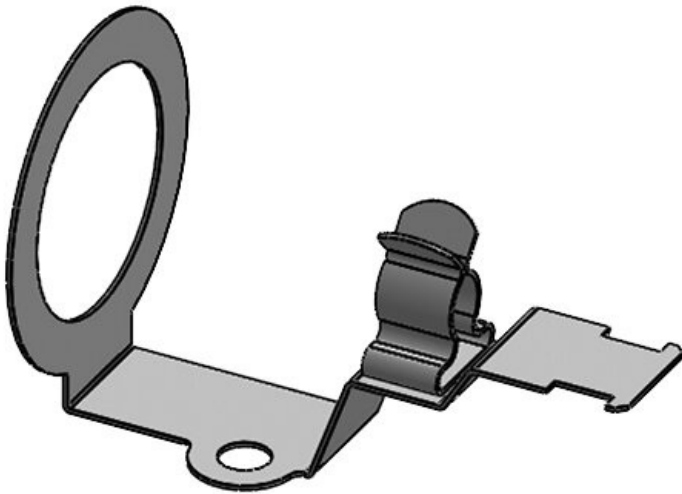


Part No.	37181.1	Length	60 mm
EAN	4251269305	Width	43 mm
	320	Height	48 mm
Package quantity	5	Suitable for cable entry systems:	KVT-ER 32, KVT 32, KVT 32-W90, QVT 32, KEL-BES-S 32
No. of shield clamps	1		
For max. no. of cables	1		
Min. shield diam.	1,5 mm		
Max. shield diam.	3 mm		





Part No.	37181.2	Length	60 mm
EAN	4251269305	Width	43 mm
	337	Height	48 mm
Package quantity	5	Suitable for cable entry systems:	KVT-ER 32, KVT 32, KVT 32-W90, QVT 32, KEL-DPF 32, KEL-BES-S 32
No. of shield clamps	1		
For max. no. of cables	1		
Min. shield diam.	3 mm		
Max. shield diam.	6 mm		



Part No.	37181.3	Length	60 mm
EAN	4251269305	Width	43 mm
	344	Height	48 mm
Package quantity	5	Suitable for cable entry systems:	KVT-ER 32, KVT 32, KVT 32-W90, QVT 32, KEL-DPF 32, KEL-BES-S 32
No. of shield clamps	1		
For max. no. of cables	1		
Min. shield diam.	6 mm		
Max. shield diam.	8 mm		

Part No.	37181.4	Length	60 mm
EAN	4251269305	Width	43 mm
	351	Height	48 mm
Package quantity	5	Suitable for cable entry systems:	KVT-ER 32, KVT 32, KVT 32-W90, QVT 32, KEL-DPF 32, KEL-BES-S 32
No. of shield clamps	1		
For max. no. of cables	1		
Min. shield diam.	8 mm		
Max. shield diam.	11 mm		

